



Mounting frames for minipleat filter inserts

- » Base element for mounting a filter wall in ventilation systems
- » Fitting of filter elements for the separation of fine dust and suspended particles
- » Secure sealing within the mounting frame by means of clamping mechanism



Content overview

General information	2
Technical data	3
Specification text	3

Detail



Mounting frame for minipleat filter inserts

» Application

Base element for mounting a filter wall in ventilation systems.

Fitting of filter elements for the separation of fine dust and suspended particles.

» Material

Mounting frame made of sheet steel, either in a galvanised or stainless construction.

» Construction

Type F250: Mounting frame for minipleat filter inserts in construction S.

» Equipment

Four clamping elements ensure a secure sealing between the mounting frame and the filter element.

» Associated TROX filter elements

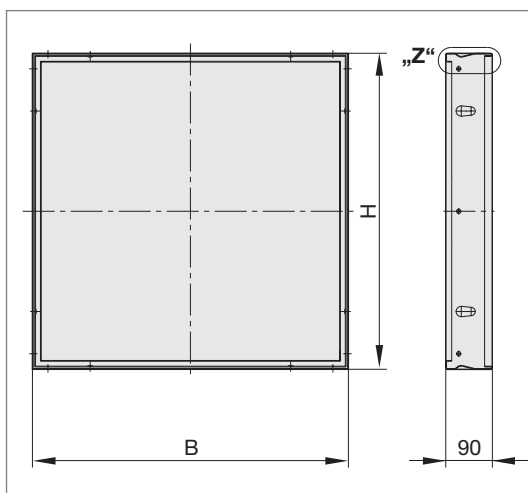
Associated filter elements to be ordered separately.

Suitable filter elements

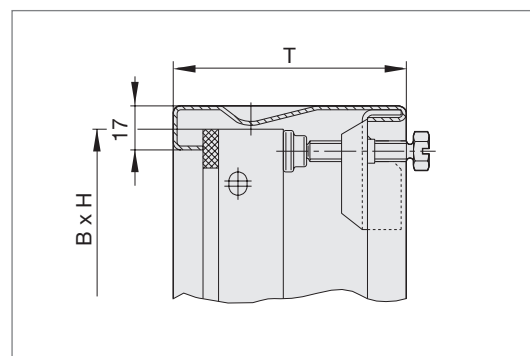
» Minipleat filter inserts (F7/5/../.)

- Fine dust filters: Type F756 (F6), Type F757 (F7), Type F759 (F9)
- HEPA filters: Type F779 (E10), Type F780 (E11), Type F781 (H13), Type F782 (H14)

Technical data



Detail drawing 1: Mounting frame



Detail drawing 2: Detail "Z" of mounting frame

Mounting frame made of galvanised sheet steel for minipleat filter inserts in construction S

All weights are net, without packaging.

Dimensions in mm			Weight approx. kg	Order number
B	H	T		
305	610	90	3.1	F250M15
508	610	90	3.7	F250M14
610	610	90	4.0	F250M13

Table 1: Technical data for F250

Mounting frame made of stainless sheet steel for minipleat inserts in construction S

Filter elements to be ordered separately.

Dimensions in mm			Weight approx. kg	Order number
B	H	T		
305	610	90	3.1	F250E15
508	610	90	3.7	F250E14
610	610	90	4.0	F250E13

Table 2: Technical data for F250

Specification text

Mounting frame for minipleat filter inserts Type F250

- » Base element for mounting a filter wall in ventilation systems.
- » Fitting of filter elements for the separation of fine dust and suspended particles.
- » Mounting frame made of sheet steel, either in a galvanised or stainless construction.
- » Clamping mechanism for sealing between mounting frame and filter element.

Technical data:

Dimensions mounting frame _____ mm
 Dimensions of filter wall _____ mm
 Number of mounting frames _____
 Net weight _____ kg
 Order code mounting frame _____
 Make: TROX

TROX[®] TECHNIK TROX GmbH
The art of handling air

Siemensstraße 24
47574 Goch, Germany
Phone +49 (0) 28 23/10 09-0
Fax +49 (0) 28 23/10 09-14
E-mail troxfilter@trox.de
www.troxtechnik.com

Filters

Subject to change / All rights reserved / © TROX GmbH (1/2010)