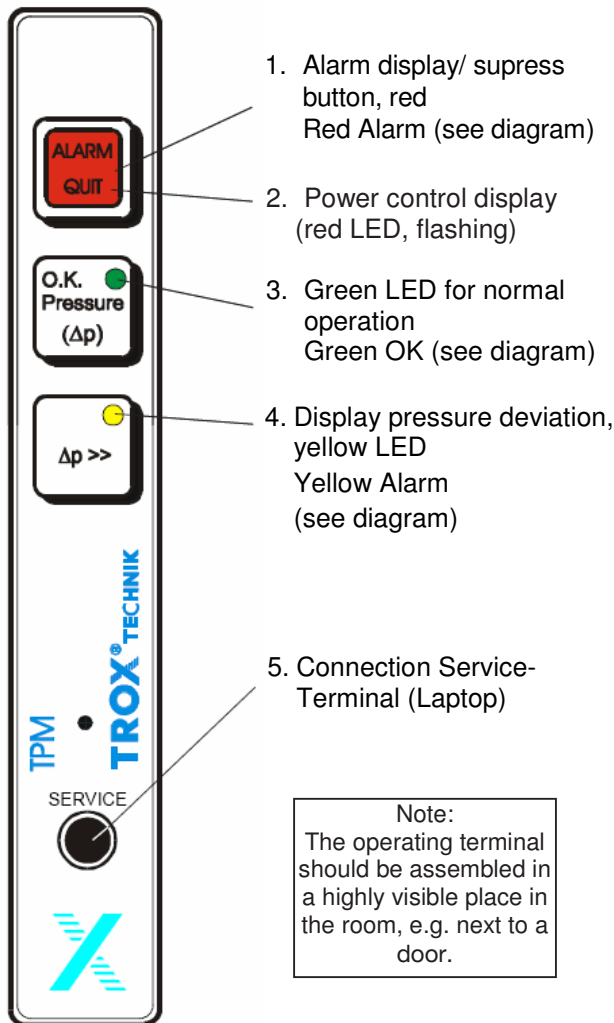


LABCONTROL

Monitoring Device Operating Terminal TPM Operating Manual

TPM-Operating terminal



General

The operating terminal of the Trox TPM indicates whether the room pressure to be monitored has been reached. The TPM operating terminal has three control lamps (LEDs) that display the current operating mode. One button is available for acoustic alarm suppression. If the specified conditions are not fulfilled, the alarm control lamp (alarm suppress button 1) lights up and an acoustic alarm sounds. Power failure is displayed by flashing of the suppress button 1 (red LED).

Specification, Operation

- 1. Alarm suppress button (red LED)**
If this control lamp lights up permanently the pressure to be monitored has not been reached. The acoustic alarm, (adjustable 0 to 30 seconds), can be switched off with the suppress button. The red control lamp does not extinguish until the cause of the alarm has been eliminated and/or normal operations have been resumed.
- 2. Power failure display (red LED)**
Flashed LED indicates a power failure.
- 3. Function control lamp, (green LED)**
The green LED lights up permanently when the required pressure is reached. If night reduction has been connected, the green LED flashes.
- 4. Display excess pressure (yellow LED)**
The yellow LED lights up when the pressure deviates.
- 5. Connecting socket for service terminal (laptop)**
This is where a computer can be connected. With the Windows software "TROXMConnect" the monitoring parameters of the TPM can be changed.

Alarm signals

